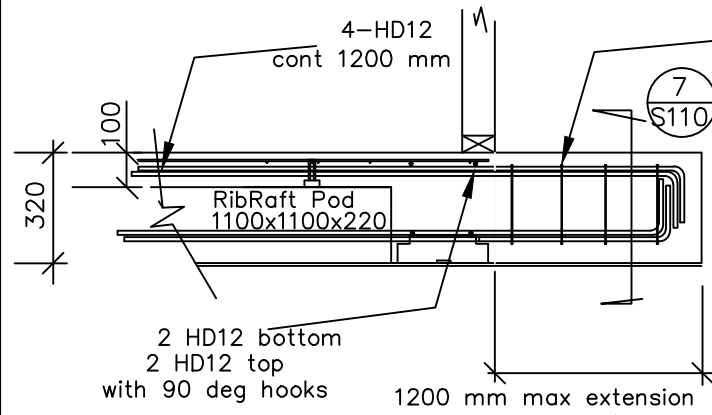
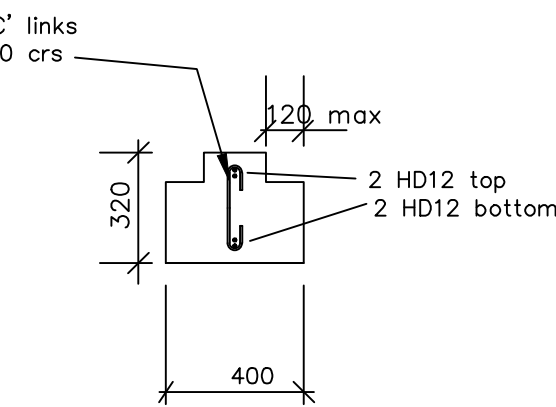


NOTE

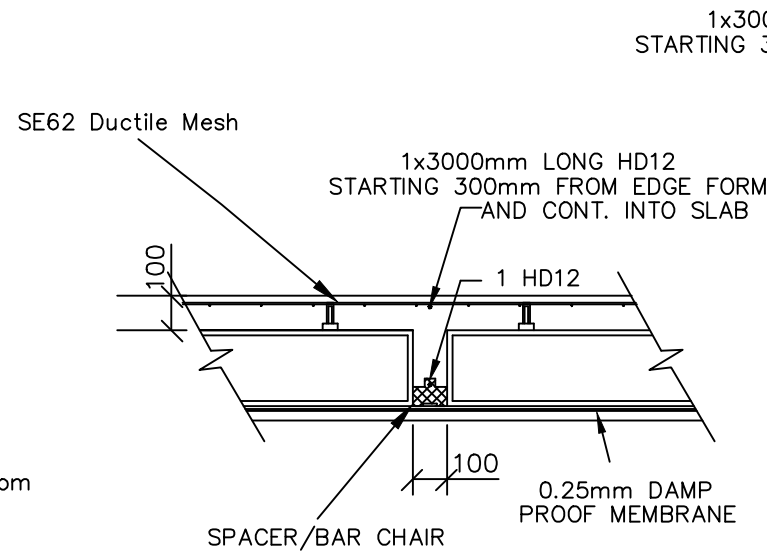
DETAILS SHOWN ARE SPECIFIC TO RIBRAFT EQ
 ALL OTHER DETAILS NOT SHOWN REFER:
 'FIRTH RIBRAFT TECHNICAL MANUAL
 JAN 2012' FOR BEARING REQUIREMENTS
 AND TECHNICAL INFORMATION



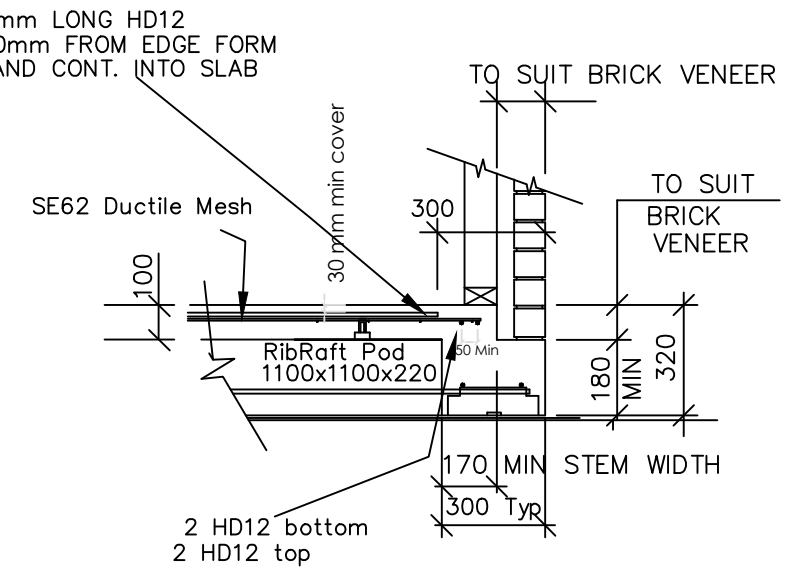
6 S110 Typical Wingwall Ground Beam detail
 CONSTRUCTION DETAIL



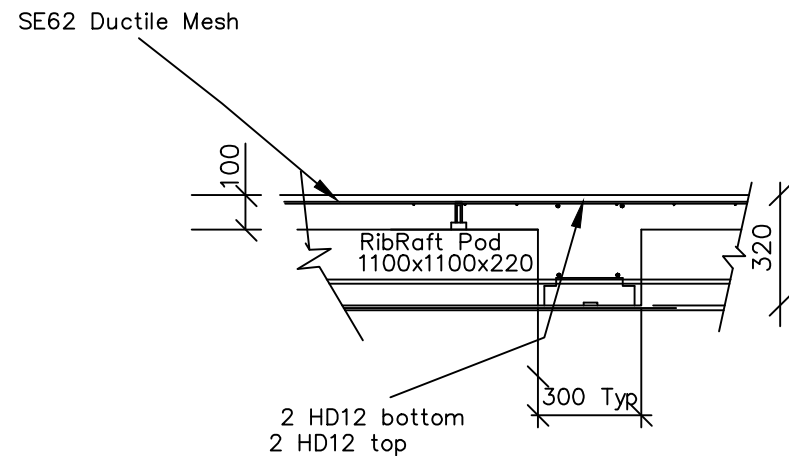
7 S110 Section @ Typical Wingwall
 CONSTRUCTION DETAIL



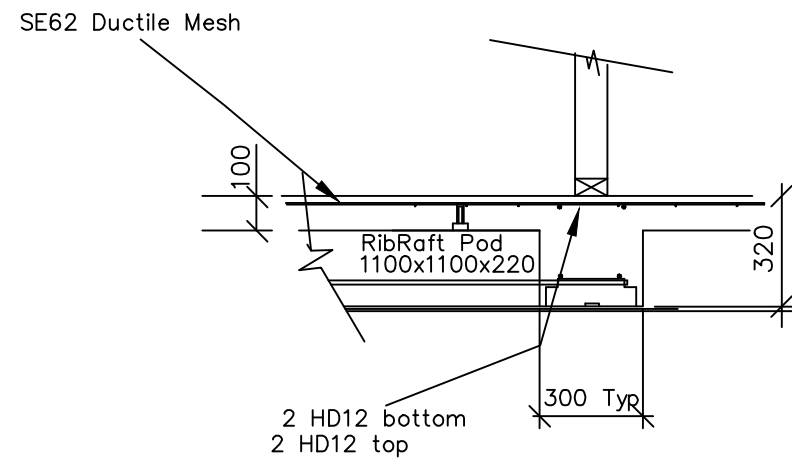
2 S110 Internal Rib-100 mm Wide
 CONSTRUCTION DETAIL



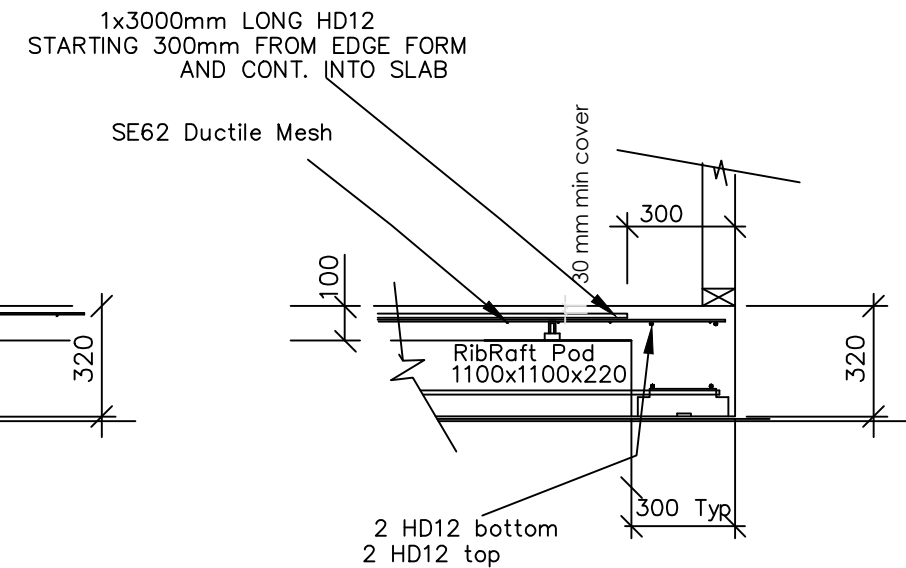
3 S110 Brick Veneer
 CONSTRUCTION DETAIL



4 S110 Perimeter Beam Internal Extension
 CONSTRUCTION DETAIL



5 S110 Internal Load Bearing Beam
 CONSTRUCTION DETAIL



1 S110 Clad Frame
 CONSTRUCTION DETAIL

RIBRAFT®

Building System By



NOTES:
 THIS RIBRAFT FLOOR DETAIL HAS BEEN DESIGNED IN
 ACCORDANCE WITH NZS 3604, NZS 3101 & THE
 'RIBRAFT TECHNICAL MANUAL 2012' AS CERTIFIED
 COMPLYING TO NZ BUILDING ACT 2004 BY
 CERTMARK AUSTRALIA PTY

JOB TITLE:
 FIRTH RIBRAFT EQ
 FLOORING SYSTEM

SHEET TITLE:
 TYPICAL SECTIONS AND
 DETAILS ADDITIONAL TO JAN
 2012 TECHNICAL MANUAL

DESIGNED: JH DRAWN: JH
 SCALES: n/a CAD DWG.:
 (in A3) DATE: July 2014

DWG NO. S110/1