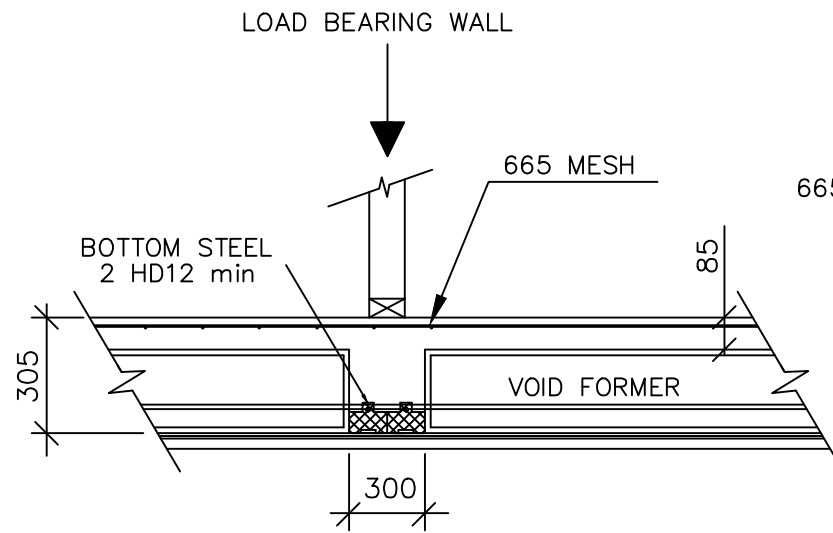
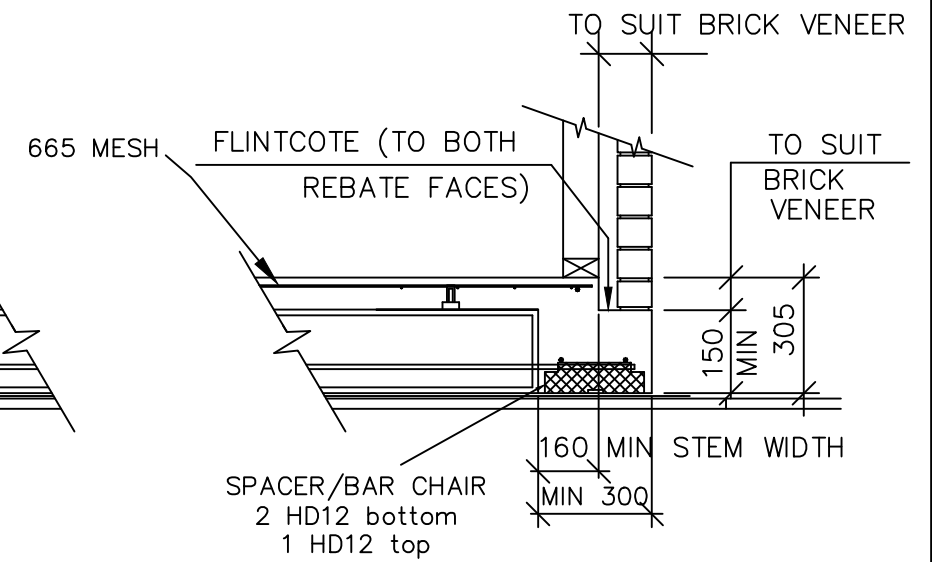


1
S2 CLAD FRAME
CONSTRUCTION DETAIL
1:20



2
S2 SECTION UNDER INTERNAL
LOAD-BEARING WALLS
1:20



3
S2 BRICK VENEER
CONSTRUCTION DETAIL
1:20

NOTE

REFER FIRTH RIBRAFT TECHNICAL MANUAL
JAN 2012 FOR BEARING REQUIREMENTS
AND TECHNICAL INFORMATION

NOTES:

JOB TITLE:

SHEET TITLE:

TIMBER FRAME
CONSTRUCTION
DETAILS

DESIGNED:

DRAWN:

CHECKED:

CAD DWG.:

SCALES:

DATE:

DWG NO.

S3a